



Design accessory for the People Flow Counting M 2.0 and the People Occupancy Counting

Give your people counting device installations a stylish finish that enhances your architecture.

The Recess Mounting Kit M for the Terabee People Flow Counting M 2.0 and the People Occupancy Counting fits easily into suspended ceilings. Screws aren't needed to place the sensor into the mounting kit or to install it into the ceiling. The sensor is also easy to remove for maintenance or repositioning.

Key features

- Stylish, unobtrusive installation for suspended ceilings
- Suitable for both the People Flow Counting M 2.0 and People Occupancy Counting devices (PoE and LoRa models)
- Fast, simple to install
- Color customization available upon request

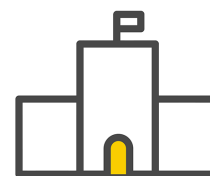
Applications



Luxury retail outlets and showrooms

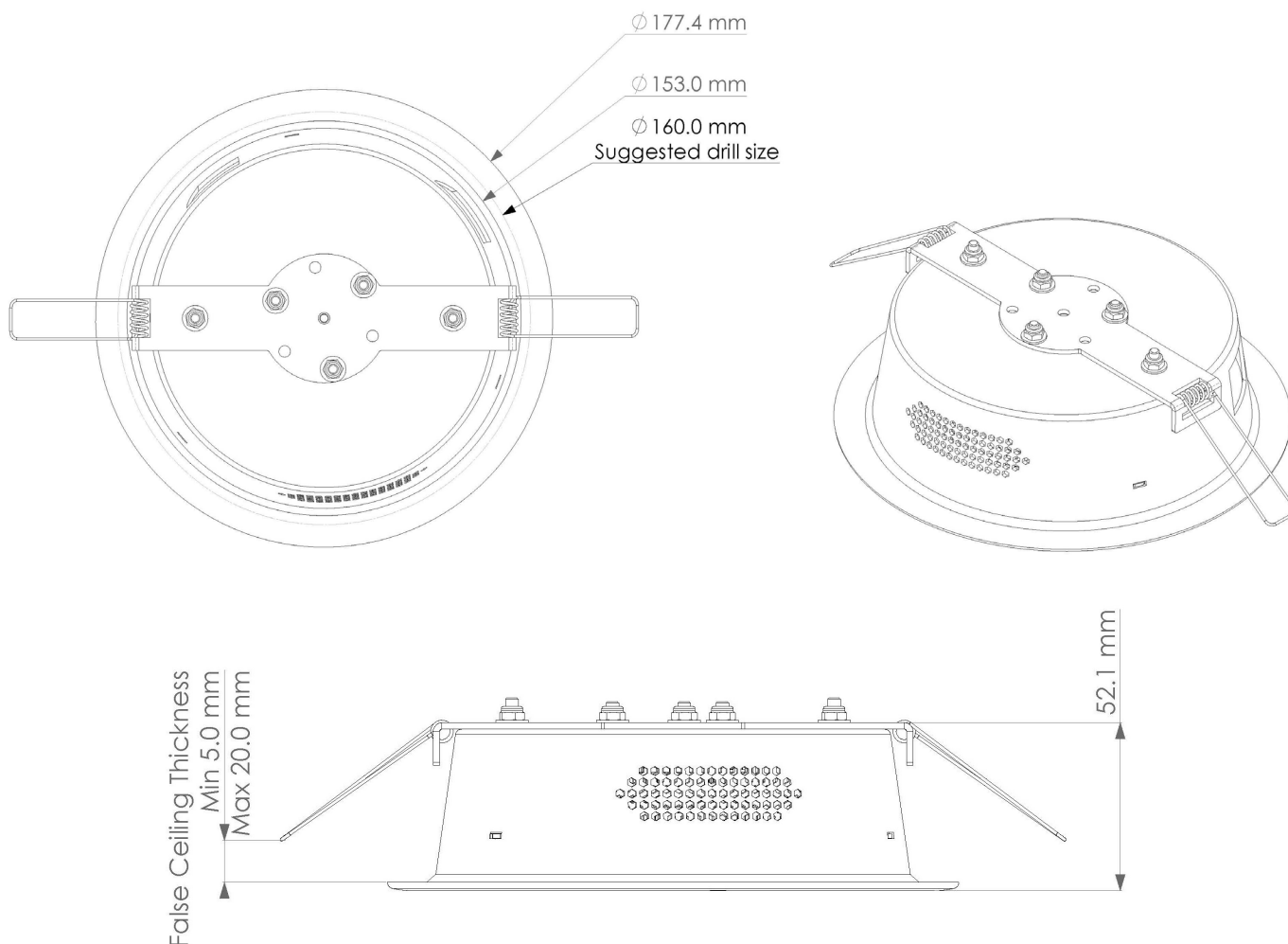


Premium hospitality venues (restaurants, hotels)



Prestigious office buildings and public buildings

Dimensions



Technical specifications

Product code	TB-RMK-M-W
Dimensions	52.1 mm × 178 mm
Weight	260 g
Materials	ABS PU 8158
Color	White (different colors available on demand)
Mounting hole diameter	160 mm
Visible kit diameter	178 mm
Supported thickness of suspended ceiling	From 5 to 20 mm
Installation	On-ceiling mounting with provided mounting case and mounting ring

The name TERABEE® and the logo are registered trademarks in the following countries: China, European Union, France, South Korea, Switzerland, Taiwan, United Kingdom and United States.

Terabee reserves the right to make changes, corrections, modifications or improvements to this document, and the products and services described herein at any time, without notice.