

# RECESS MOUNTING KIT

*Suitable for all Terabee people counters*

## EASY AND GOOD LOOKING MOUNTING OPTION FOR SUSPENDED CEILINGS

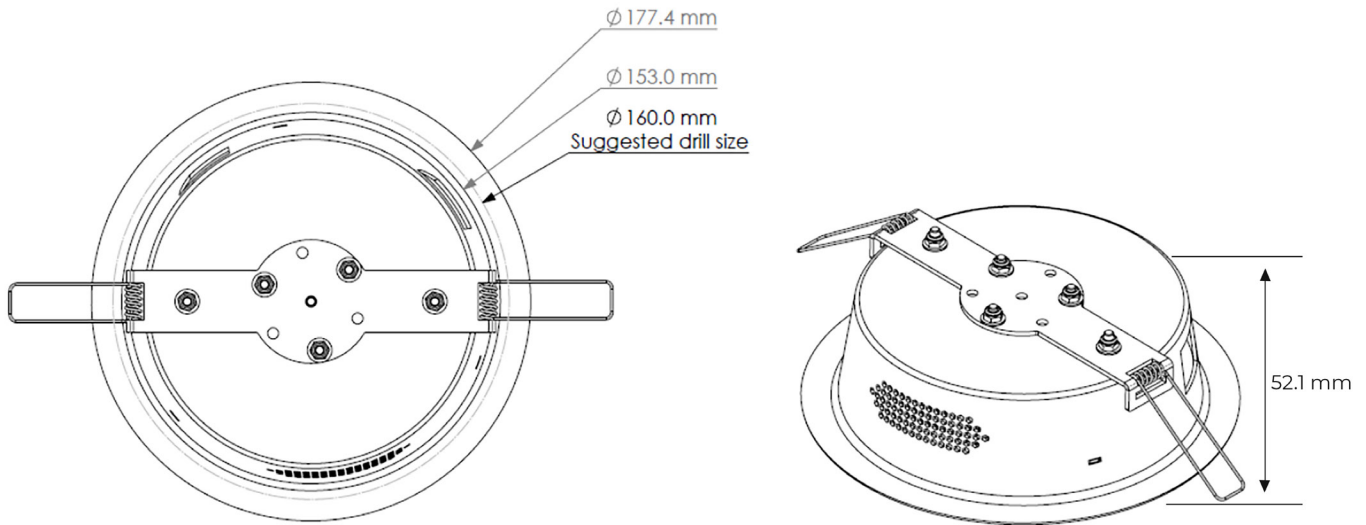
As easy to install as a standard LED light, it just requires a **16cm diameter hole and is pushed-in**. This kit ensures the best stylish look to the installation, allowing the People Counter to disappear into the ceiling. Sold in two versions, one for **FLOW** and one for **OCCUPANCY** and **FLOW M**.

### KEY PRODUCT FEATURES:

1. **Stylish, unobtrusive installation for suspended ceilings**
2. **Fast & simple to install**
3. **Color customization available upon request**



## Technical Specifications



<b>SKU:</b>	<b>TB-RMK-M-W</b>
Compatible with	OCCUPANCY and FLOW M
Ring internal diameter	94 mm
<b>SKU:</b>	<b>TB-PCL-XL-RM-W</b>
Compatible with	FLOW
Ring internal diameter	105 mm
<b>Common specifications:</b>	
External dimensions	52.1 mm × 177.4 mm
Weight	260 g
Housing material	ABS PU 8158
Color	White, Black (different colors available on demand)
Mounting hole diameter	160 mm
Supported thickness of suspended ceiling	From 5 mm to 20 mm
Installation	False ceilings

**Any questions? Contact us today!**